

HFA

BARONESS BARIATRIC



BARONESS BARIATRIC

The Baroness bariatric chair has a fully welded and reinforced heavy gauge, round tube steel frame which comes with a durable silver powder coated 4 leg frame. It is rated to 250Kgs with high density quality foam for support and upholstered arm caps for extra comfort. It is a versatile bariatric chair that can be used in any facility.



DIMENSIONS

Height	Width	Depth
900mm	740mm	640mm

SPECIFICATIONS

Australian Made
5 year warranty
250kg capacity chair
Fully welded and reinforced 2mm heavy gauge round tube steel frame
Durable silver powder coated frame
High density quality foam for comfort
Polyurethane arm caps for extra comfort

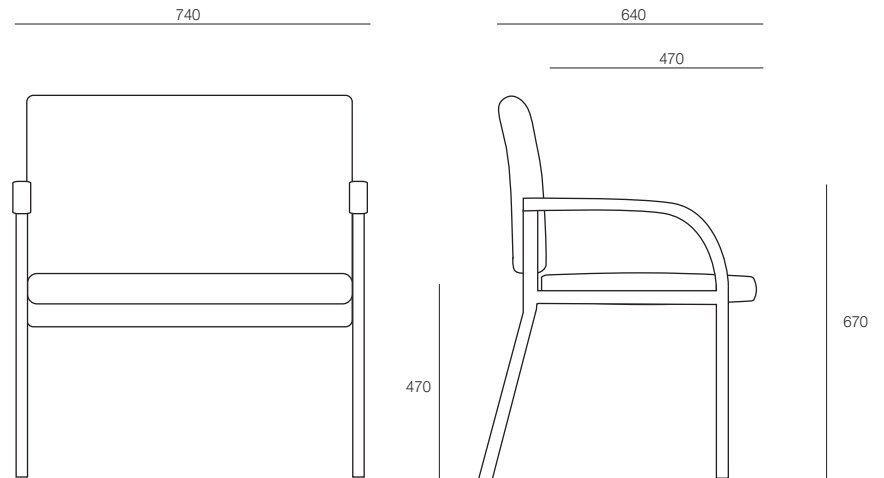
OPTIONS

Upholstered in selected material
Rear Castors to back legsupholstered

GENERAL




Origin	Lead Time
Australia	4 weeks

TECHNICAL DRAWINGS



1F Marine Parade
Abbotsford, Victoria
3067 Australia

T +61 (3) 9818 8400
F +61 (3) 9818 6655
info@hfa.com.au

 ecf.com.au
 ecf.hfa
 @ecf_hfa

