

HFA

EMERALD



EMERALD

The Emerald recliner chair comes as standard manual recliner with the optional features of; power lift, recline, power back up, a dual motor, retractable foot plate and a push handle for increased maneuverability while a resident is in the chair, along with a heavy duty wheel kit and a removable tablet arm. This recliner chair is extremely comfortable and suitable for sedentary sitting.



DIMENSIONS

Height	Width	Depth
1050mm	860mm	1010mm

SPECIFICATIONS

5-year warranty on timber frame and foam

2-year warranty on motors, mechanisms and electrical components

Weight rating: 130kg

Hand control and mechanism

50mm castors

Upholstery in any suitable fabric, leather or vinyl

OPTIONS

Manual chair (without castors)

75mm castors

Electric lift and recline power back-up

Push handle

Wheel kit

Dual motor

Retractable footplate

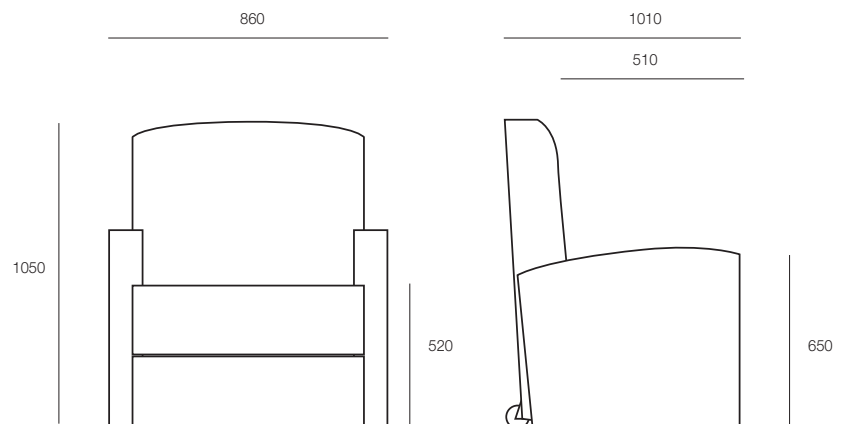
Tablet arm

Memory foam to seat, footrest and arms

GENERAL

Origin	Lead Time
Australia	4 weeks

TECHNICAL DRAWINGS



PRODUCT OPTIONS






HFA



1F Marine Parade
Abbotsford, Victoria
3067 Australia

T +61 (3) 9818 8400
F +61 (3) 9818 6655
info@hfa.com.au

 ecf.com.au
 ecf.hfa
 @ecf_hfa

